

FEATURES

- High short circuit capability, self limiting short circuit current
- IGBT CHIP(T4 Fast Trench+Field Stop technology)
- $V_{CE(sat)}$ with positive temperature coefficient
- Fast switching and short tail current
- Free wheeling diodes with fast and soft reverse recovery
- Low switching losses
- $T_{Vj\max} = 175^{\circ}\text{C}$

APPLICATIONS

- High frequency switching application
- Medical applications
- Motion/servo control
- UPS systems



ABSOLUTE MAXIMUM RATINGS

$T_c=25^{\circ}\text{C}$ unless otherwise specified

Symbol	Parameter	Test Conditions	Values	Unit
IGBT				
V_{CES}	Collector - Emitter Voltage	$T_{Vj}=25^{\circ}\text{C}$	1200	V
V_{GES}	Gate - Emitter Voltage		± 20	V
I_c	DC Collector Current	$T_c=25^{\circ}\text{C}$	200	A
		$T_c=80^{\circ}\text{C}$	150	A
I_{CM}	Repetitive Peak Collector Current	$t_p=1\text{ms}$	300	A
P_{tot}	Power Dissipation Per IGBT		880	W
Diode				
V_{RRM}	Repetitive Reverse Voltage	$T_{Vj}=25^{\circ}\text{C}$	1200	V
$I_{F(AV)}$	Average Forward Current	$T_c=25^{\circ}\text{C}$	150	A
I_{FRM}	Repetitive Peak Forward Current	$t_p=1\text{ms}$	300	A

MMG150D120B7HN

ELECTRICAL AND THERMAL CHARACTERISTICS $T_c=25^\circ\text{C}$ unless otherwise specified

Symbol	Parameter	Test Conditions	Min.	Typ.	Max.	Unit	
IGBT							
$V_{GE(th)}$	Gate - Emitter Threshold Voltage	$V_{CE}=V_{GE}, I_C=6.0\text{mA}$	5.4	6	6.5	V	
$V_{CE(sat)}$	Collector - Emitter Saturation Voltage	$I_C=150\text{A}, V_{GE}=15\text{V}, T_{Vj}=25^\circ\text{C}$		2.1	2.5	V	
		$I_C=150\text{A}, V_{GE}=15\text{V}, T_{Vj}=125^\circ\text{C}$		2.5		V	
I_{CES}	Collector Leakage Current	$V_{CE}=1200\text{V}, V_{GE}=0\text{V}, T_{Vj}=25^\circ\text{C}$			2	mA	
		$V_{CE}=1200\text{V}, V_{GE}=0\text{V}, T_{Vj}=125^\circ\text{C}$			10	mA	
I_{GES}	Gate Leakage Current	$V_{CE}=0\text{V}, V_{GE} \pm 15\text{V}, T_{Vj}=125^\circ\text{C}$	-400		400	nA	
R_{Gint}	Integrated Gate Resistor			5		Ω	
Q_g	Gate Charge	$V_{CE}=600\text{V}, I_C=150\text{A}, V_{GE}=15\text{V}$		0.7		μC	
C_{ies}	Input Capacitance	$V_{CE}=25\text{V}, V_{GE}=0\text{V}, f=1\text{MHz}$		8.8		nF	
C_{res}	Reverse Transfer Capacitance				0.48		nF
$t_{d(on)}$	Turn - on Delay Time	$V_{CC}=600\text{V}, I_C=150\text{A}, R_G=5\Omega,$	$T_{Vj}=25^\circ\text{C}$		160		ns
			$T_{Vj}=125^\circ\text{C}$		170		ns
			$T_{Vj}=150^\circ\text{C}$		180		ns
t_r	Rise Time	$V_{GE}=\pm 15\text{V},$ Inductive Load	$T_{Vj}=25^\circ\text{C}$		70		ns
			$T_{Vj}=125^\circ\text{C}$		80		ns
			$T_{Vj}=150^\circ\text{C}$		85		ns
$t_{d(off)}$	Turn - off Delay Time	$V_{CC}=600\text{V}, I_C=150\text{A}, R_G=5\Omega,$	$T_{Vj}=25^\circ\text{C}$		420		ns
			$T_{Vj}=125^\circ\text{C}$		470		ns
			$T_{Vj}=150^\circ\text{C}$		500		ns
t_f	Fall Time	$V_{GE}=\pm 15\text{V},$ Inductive Load	$T_{Vj}=25^\circ\text{C}$		40		ns
			$T_{Vj}=125^\circ\text{C}$		60		ns
			$T_{Vj}=150^\circ\text{C}$		70		ns
E_{on}	Turn - on Energy	$V_{CC}=600\text{V}, I_C=150\text{A}, R_G=5\Omega,$	$T_{Vj}=125^\circ\text{C}$		21		mJ
			$T_{Vj}=150^\circ\text{C}$		23		mJ
E_{off}	Turn - off Energy	$V_{GE}=\pm 15\text{V},$ Inductive Load	$T_{Vj}=125^\circ\text{C}$		9		mJ
			$T_{Vj}=150^\circ\text{C}$		9.6		mJ
I_{sc}	Short Circuit Current	$t_{psc} \leq 10\mu\text{s}, V_{GE}=15\text{V}$ $T_{Vj}=125^\circ\text{C}, V_{CC}=600\text{V}$		600		A	
R_{thJC}	Junction-to-Case Thermal Resistance (Per IGBT)				0.17	K/W	
Diode							
V_F	Forward Voltage	$I_F=150\text{A}, V_{GE}=0\text{V}, T_{Vj}=25^\circ\text{C}$		2.25	2.55	V	
		$I_F=150\text{A}, V_{GE}=0\text{V}, T_{Vj}=125^\circ\text{C}$		2.30		V	
t_{rr}	Reverse Recovery Time	$I_F=150\text{A}, V_R=600\text{V}$		500		ns	
I_{RRM}	Max. Reverse Recovery Current	$di_F/dt=-2200\text{A}/\mu\text{s}$		95		A	
E_{rec}	Reverse Recovery Energy	$T_{Vj}=125^\circ\text{C}$		7.0		mJ	
R_{thJCD}	Junction-to-Case Thermal Resistance (Per Diode)				0.48	K/W	

MODULE CHARACTERISTICS

$T_C=25^{\circ}\text{C}$ unless otherwise specified

Symbol	Parameter	Test Conditions	Min.	Typ.	Max.	Unit
$T_{Vj\max}$	Max. Junction Temperature				175	$^{\circ}\text{C}$
$T_{Vj\text{op}}$	Operating Temperature		-40		150	$^{\circ}\text{C}$
T_{stg}	Storage Temperature		-40		125	$^{\circ}\text{C}$
V_{isol}	Insulation Test Voltage	AC, t=1min		3000		V
CTI	Comparative Tracking Index		350			
Torque	Module-to-Sink	Recommended (M6)	3		5	N · m
Torque	Module Electrodes	Recommended (M6)	2.5		5	N · m
Weight				300		g

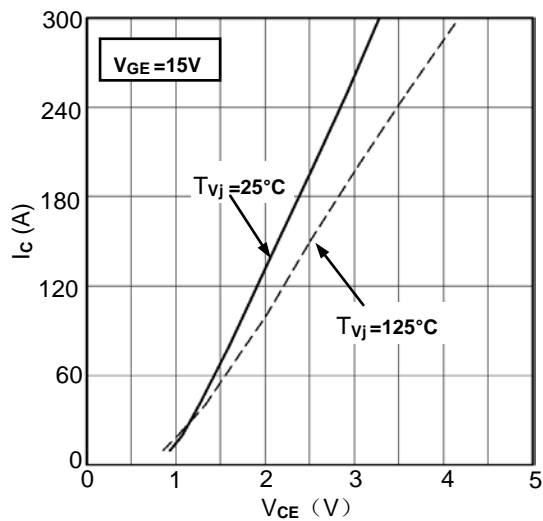


Figure1. Typical Output Characteristics

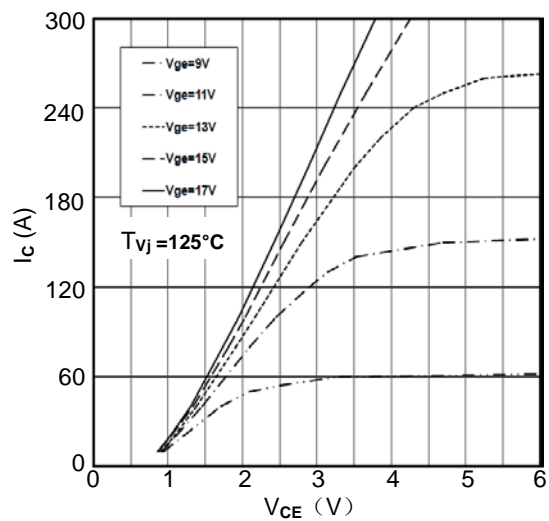


Figure2. Typical Output Characteristics

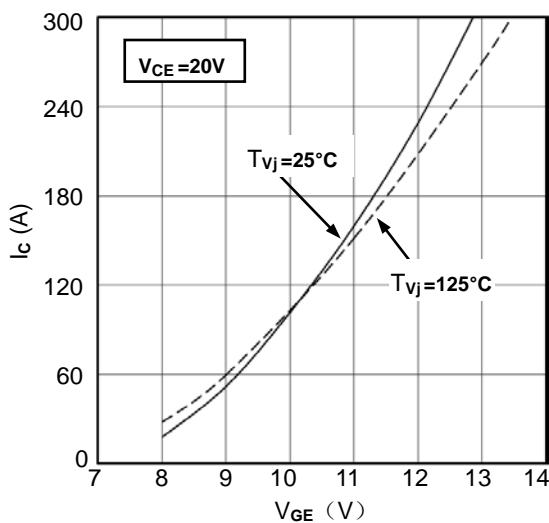


Figure3. Typical Transfer characteristics

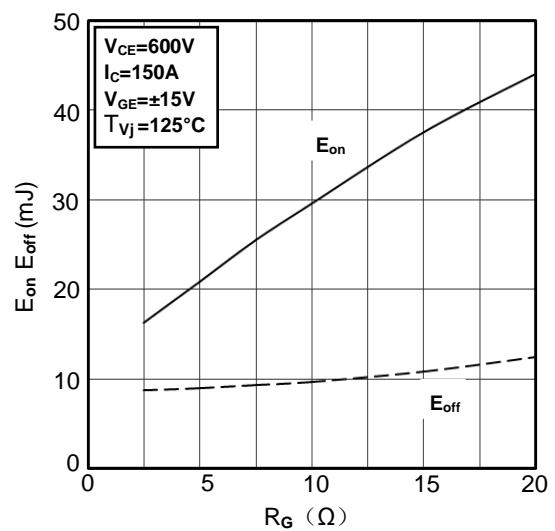


Figure4. Switching Energy vs. Gate Resistor

MMG150D120B7HN

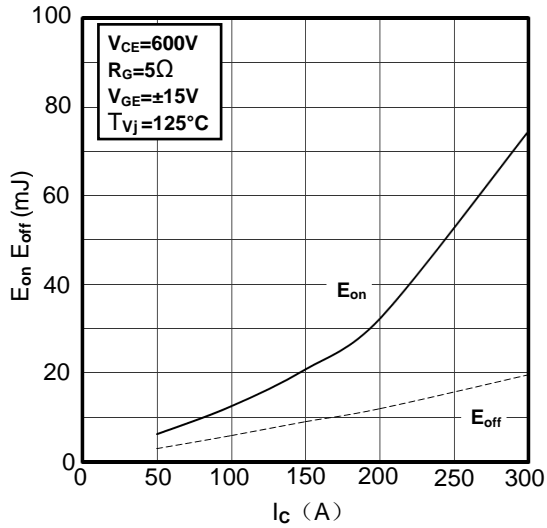


Figure 5. Switching Energy vs. Collector Current

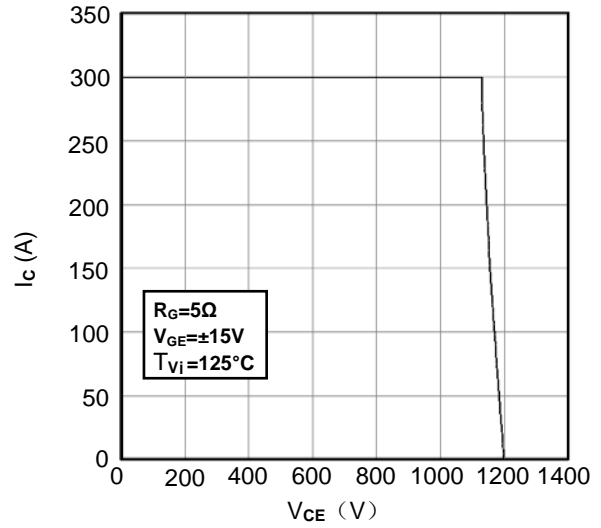


Figure 6. Reverse Biased Safe Operating Area

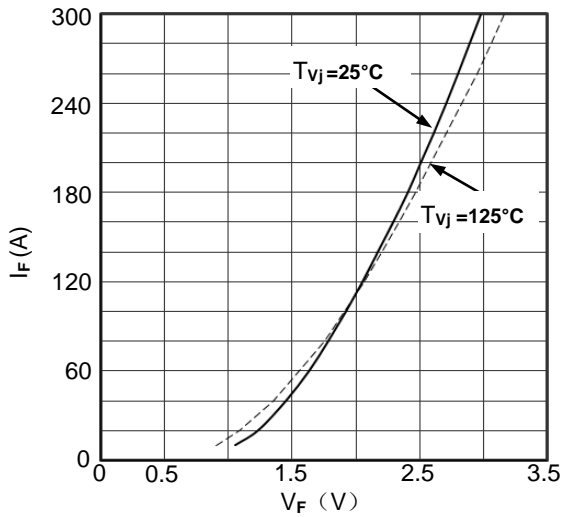


Figure 7. Diode Forward Characteristics

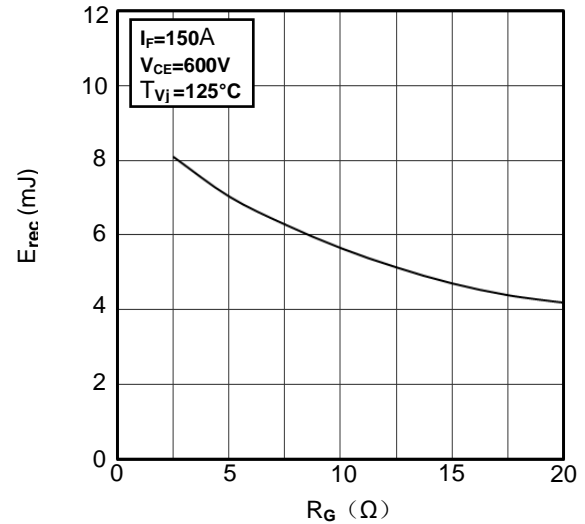


Figure 8. Switching Energy vs. Gate Resistor

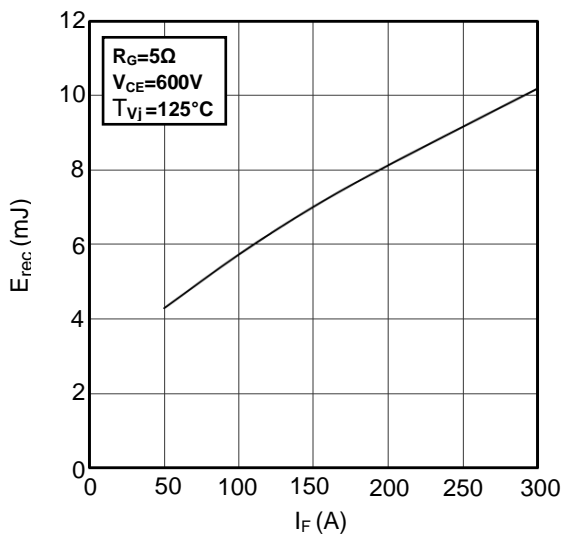


Figure 9. Switching Energy vs. Forward Current

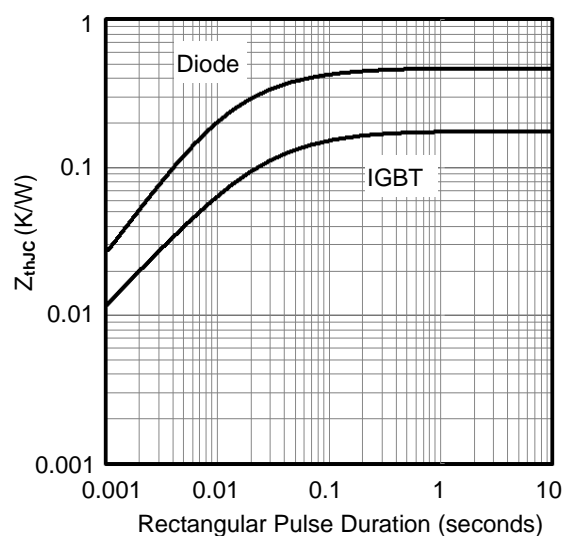


Figure 10. Transient Thermal Impedance

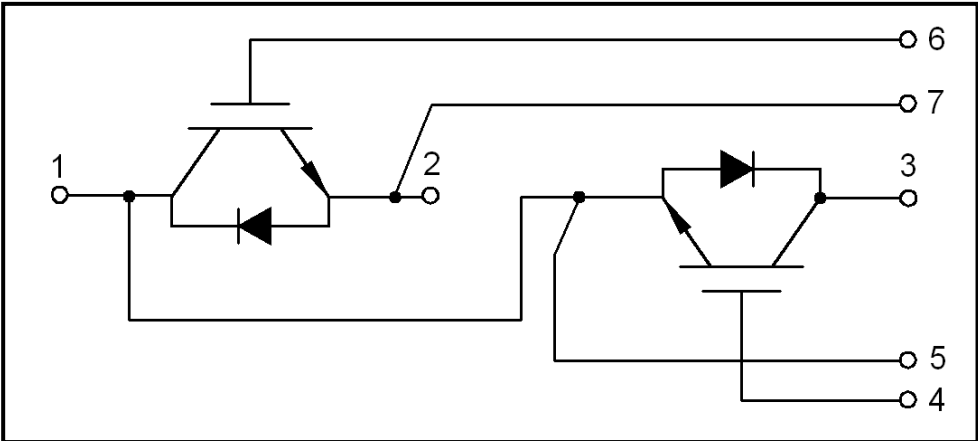
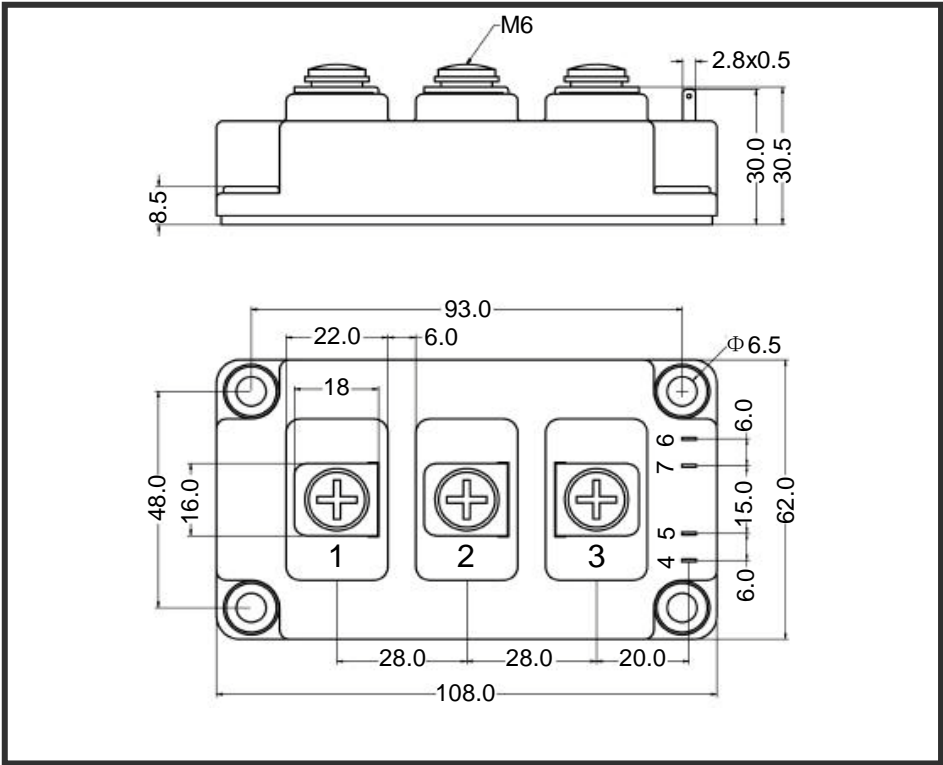


Figure11. Circuit Diagram



Dimensions (mm)
Figure12. Package Outline